



## ePANEL 2/3C series Bilge Counter with Cycle History



Pump cycle counters are used to foresee problems in the bilge. By comparing a counter's number against a known baseline, a worsening condition can be detected early. However, how do you find, use, and store that baseline? The solution is the ePanel C series, a clever extension of the BC-100 bilge counter. We've incorporated a single blade style fuse with cover into the face of the panel, making it easy to replace and safer for your equipment and boat. Installation is easy and you may be able to use your existing wires. The ePanel C series puts current data and a 2 week cycle history available at the touch of a button. When pressed, the ePanel C series displays the pump count total since last reset, followed by the total counts from the past 24 hour, 7 and 14 day periods. To keep information current, the unit updates itself and recalculates the totals every 24 hours on a sliding scale. When the 24 hour, 7 day, or 14 day period cycle counts are flashing, it indicates that the power has been interrupted and the count for the period may be invalid. Finally, the count illuminates in the display to let you know when the pump is running. Remember; ship happens, know when it does.

### **FEATURES & BENEFITS**

- *Displays total pump cycles, followed by pump cycles for the past 24 hr, 7 & 14 day periods*
- *Flashing count signifies a power loss for that time period, indicating the count could be inaccurate*
- *Count displays when pump runs*
- *Tracks pump cycles for the past 14 days*
- *Built-in easy access blade style fuse*
- *2 or 3 way 20 amp sealed rocker switch*
- *Maintains count after power loss*
- *Exceeds both United States Coast Guard and U.L. Standards*

### **SPECIFICATIONS**

Power required: 12Vdc (ePANEL 2/3C)  
24Vdc (ePANEL 2/3C-24)

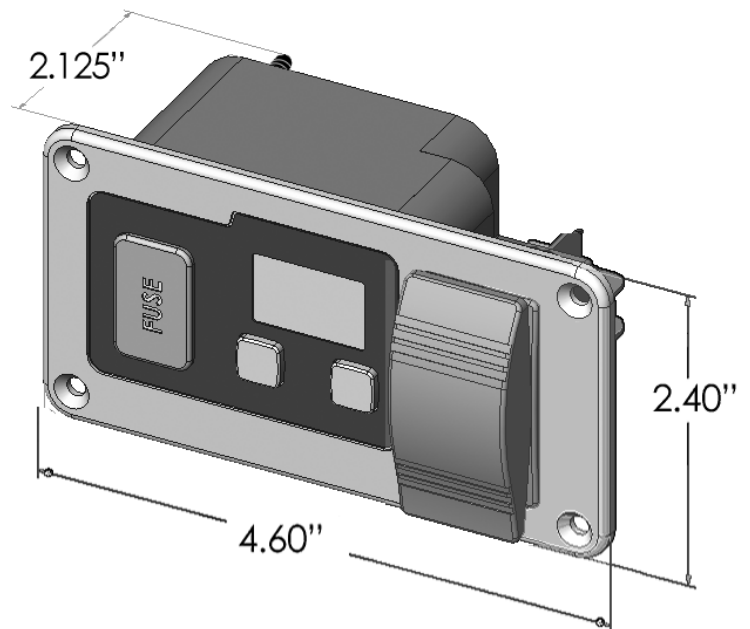
Rocker switch: 2 or 3 way 20 amps

Power at rest: .020 Amps

Power used: .150 Amps

Size: 4.6" W x 2.4"H x 2.125"D

Weight: 8.75 ounces



## Installation / Wiring Instructions

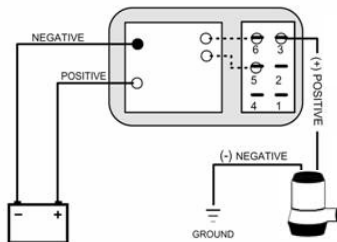
1. Disconnect the battery.
2. Select a mounting location for the e-PANEL which is easy to see from the helm. Check behind mounting panel for clearance (≈3 inches), referring to diagram for dimensions.
3. Use the enclosed template as a guide for cutting the hole.
4. Cut the opening, following the instructions on the provided template. De-burr the hole and check e-PANEL for proper fit. DO NOT FORCE e-PANEL INTO HOLE.
5. Follow the e-PANEL wiring schematic as illustrated in the diagram. The fuse is determined by the output load. Check with the manufacturer of the device being controlled to determine the fuse size.
4. **For All ePanels**—connect the positive (+) post to the positive side of the battery; connect the negative post to ground.
5. **For 2 position switch**—*From the Blower / Pump*: connect the positive wire to the #3 switch terminal; connect the negative wire to ground.
6. **For 3 position switch**—*From Pump*: connect positive wire to #1 switch terminal; connect negative wire to ground. *From the Water Witch*: connect RED wire to the #3 switch terminal; splice TAN wire into the connection from the pump to the #1 terminal on switch; connect the black wire to ground.
7. Check all wires to ensure proper connections. And place e-PANEL in hole at the desired position. Tighten the e-PANEL against the mounting surface until flush and secure. DO NOT over tighten; it may crack housing or mounting dash.
8. Reconnect the battery. The installation is complete.



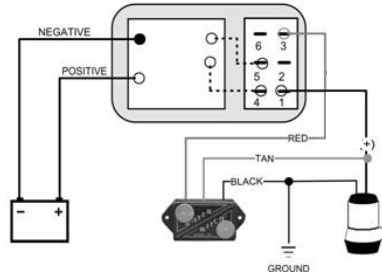
*ePanel 2C  
Black on Black*



*ePanel 3C  
White on black*



*2 position switch diagram*



*3 position switch diagram*

## Operating Instructions

- There is a 6 second delay built in to eliminate false cycling caused by float switches.
- When power is applied, the display's center segments scrolls horizontally indicating normal operation.
  - Pump activation illuminates the current count and remains displayed for the duration of the cycle.
  - Press the DISPLAY button once to display the total counts since initially powered or since last RESET.
  - Press and hold the DISPLAY button to see the bilge history. The total number of cycles scroll first, then the total counts for the last 24 hours, 7 days, and 14 days.
  - If the 24 hour, 7day or 14 day period cycle counts are flashing, it indicates power has been interrupted and the count for the period maybe invalid. The count will stop flashing only after having continuous power for that period of time By watching and evaluating these numbers, a worsening condition can be detected early.
  - Pressing the RESET button clears all counts including the total count.



*ePanel 3C  
White on White*

## PURCHASE INFORMATION

Name	Size	Switch	Bezel*	Color	Voltage	Warranty
ePanel 2C	4 $\frac{3}{8}$ " W x 2 $\frac{2}{8}$ " H x 2 $\frac{1}{8}$ " D	2 way	Aluminum*	Black or White	12Vdc or 24Vdc (Epanel-24)	2 years
ePanel 3C	4 $\frac{3}{8}$ " W x 2 $\frac{2}{8}$ " H x 2 $\frac{1}{8}$ " D	3 way				

\*Choice of black or white powder-coat

**Water Witch, Inc. 10744 Rockvill Street, Suite 103 Santee, California 92071**  
**Phone: 800-654-4783 e-mail: info@waterwitchinc.com www.waterwitchinc.com**