

WATER WITCH®

High Water Float Switch Replacement

PATENT
PENDING



Model 10-12 10-24

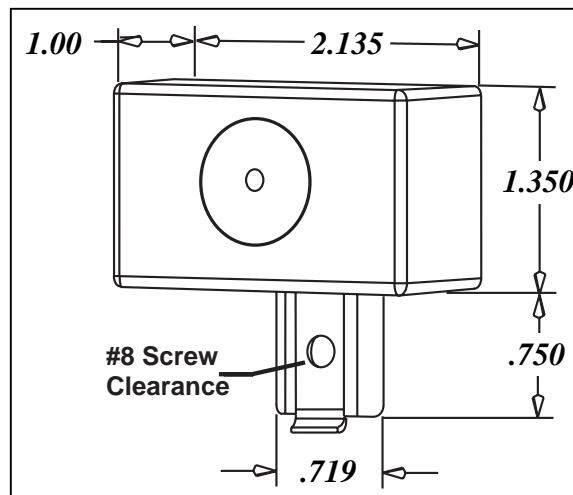
- *MERCURY FREE*
- *OILS AND FUELS — Will not activate switch*
- *SIMPLE INSTALLATION — Mounts at any angle*
- *DELAY ON — Prevents false pump cycling*
- *ELECTRONIC — No wear, sticking, or electrolysis*
- *STAINLESS STEEL METAL PARTS*
- *EXCEEDS BOTH U.S. COAST GUARD & U.L. STANDARDS*
- *20 YEARS — Marine experience*

5 YEAR
LIMITED
WARRANTY

MEMBER
ABYC®
Setting Standards for Safer Boating

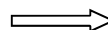
SPECIFICATIONS:

Power Required:	12 Vdc (Model 10-12) 24 Vdc (Model 10-24)
Power used:	.004 Amps.
Size:	2.135" W x 1.350" H x 1.0"D
Weight:	3 Ounces
Delay on:	3 Seconds
Delay off:	Instantaneous
Max load:	15 Amps. (Model 10-12) 10 Amps. (Model 10-24)



Mounting the 10-12 is an effortless task, using the integrated mounting tab, just install the 10-12 above standing water.

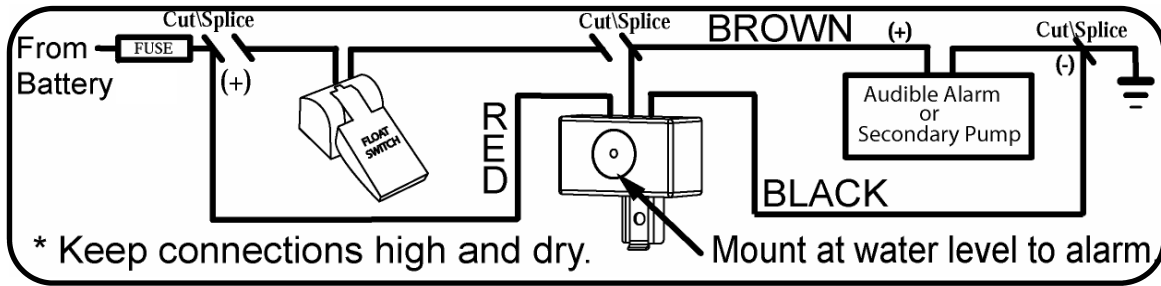
See instructions on reverse



Replacing your old float switch

Confirm float being replaced is on the positive (+) side of the pump.

1. Cut and splice the RED wire on the model 10-12 to the (+) wire coming from the battery .
2. Cut and splice the BROWN wire from the model 10-12 to the positive pump/ audible alarm wire.
3. Cut and splice the BLACK wire on the model 10-12 to common ground (-).

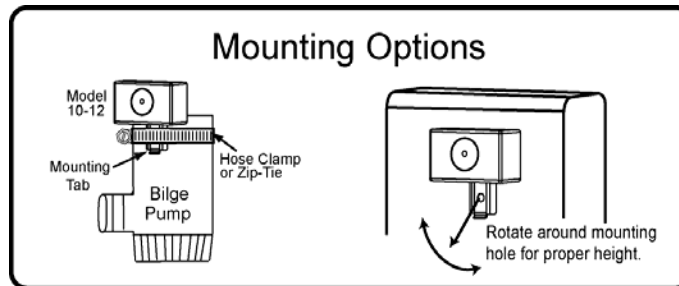


CAUTION:

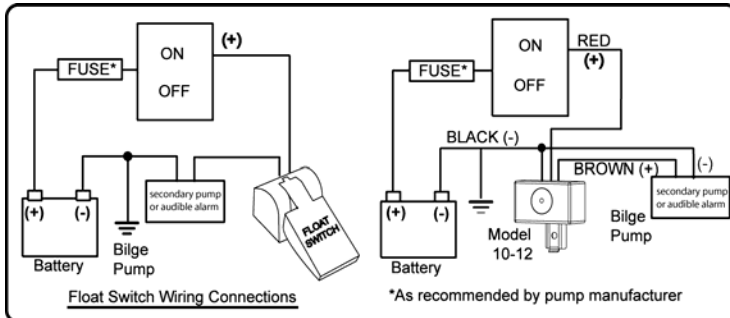
- Connecting the BROWN wire to ground, as this may damage the switch.
- Mount the Model 10-12 with sensor above standing water in your bilge.
- Make all wire connections sealed and above any water contact.

TESTING:

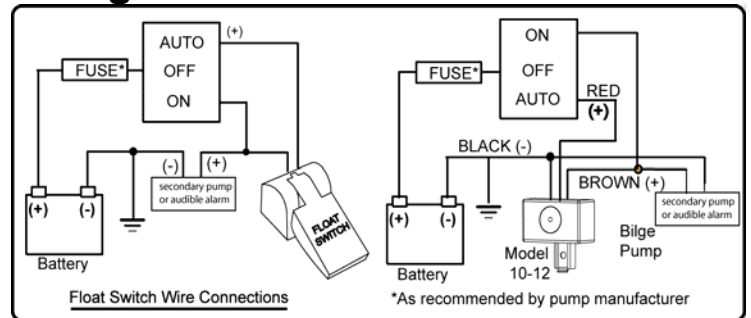
Test the Water Witch by placing a wet rag across the sensor and the metal mounting bracket for the 3 second delay period required to turn on the pump.



Common Wiring Configurations



2-way switch



3-way switch

Note:

If large amounts of rain water can enter the bilge, it may dilute the normal, fresh or salt, water outside our sensitivity window. Corrective action can be to switch pump on manually to remove diluted water or to add minerals such as salt, baking soda, bilge cleaners, etc... NORMAL FRESH WATER HAS AMPLE MINERAL CONTENT FOR PROPER OPERATION.

LIMITED WARRANTY

WATER WITCH, INC. warrants this control for a period of 5 years from the date of purchase against defects in material and workmanship providing it has not been subject to physical or electrical abuse or misuse. If it ceases to operate, return control, freight prepaid, with a copy of your sales receipt. Water Witch, Inc. reserves the right to repair or replace the control at its option. IN NO EVENT WILL WATER WITCH, INC. BE LIABLE FOR MORE THAN THE REPLACEMENT COST OF THE CONTROL UNDER THIS WRITTEN WARRANTY OR UNDER ANY IMPLIED WARRANTY OR MERCHANTABILITY. This warranty gives you specific legal rights. However, you may also have other rights which vary from state to state and country to country.