



MEMBER
ABYC[®]
 Setting Standards for Safer Boating

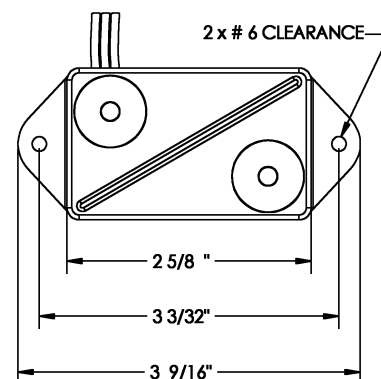
Models 23-12, 23-12B, 23-24 High Water Sensor



Would you own a home without a smoke alarm? Then why would you have a boat without a high water alarm? Remember, water sinks boats. The Water Witch High Water Sensor (23-12, 23-12B & 23-24) is the perfect solution for your high water level detection needs. It exceeds both the Canadian & U.S. Coast Guard standards and is currently in use by the U.S. Coast Guard. Designed to precisely monitor water levels, this sensor will only activate after detecting water for 3 continuous seconds, thereby avoiding false triggering. Once water has left the sensor, it will instantly turn off. The sensor is also waterproof and impermeable to all bilge substances. It has no moving parts to fail or to get stuck and is easy to install. (Note: The 23-12, 23-12B and 23-24 function exactly the same; the only difference being the 23-12B comes with a buzzer and the 23-24 is for 24Vdc / 32Vdc systems.)

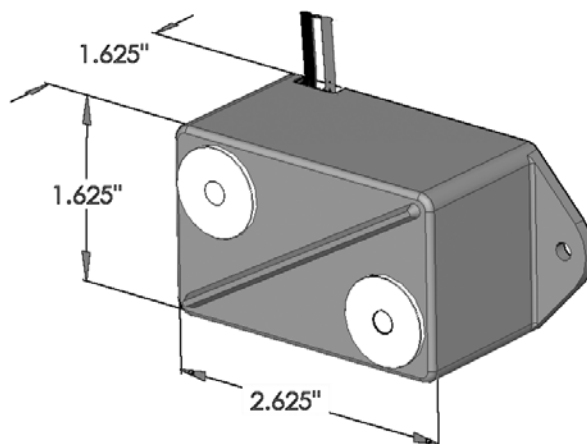
FEATURES & BENEFITS

- Sensor powers up in an OFF state
- 3 second anti-slosh delay to prevent false triggering
- Waterproof - impervious to all bilge substances
- No moving parts and no electrolysis
- Easy to install and mounts at any angle
- 30" lead of 16 gauge tinned copper wire
- 7 year unbeatable limited warranty
- Exceeds both United States Coast Guard and U.L. Standards



SPECIFICATIONS

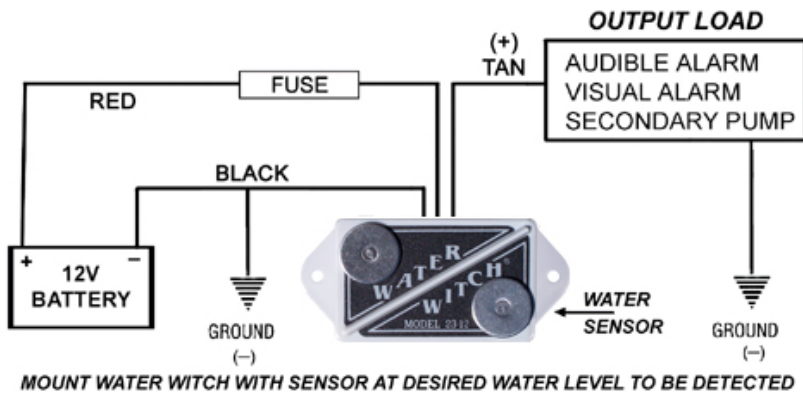
Power Required:	12 Vdc	(model 23-12, 23-12B)
	24 Vdc	(model 23-24)
Power used:	.006 Amps	
Size:	2 5/8"W x 1 5/8"H x 1 5/8"D	
Weight:	4 ounces	
Delay on:	3 seconds	
Delay off:	0 seconds, instantaneous	
Capacity	23-12	10 amps @ 12 Vdc
	23-12B	10 amps @ 12 Vdc
	23-24	7 amps @ 24 Vdc



Installation Instructions

A fuse is recommended with the installation of the high water sensor.

1. Use the proper size wires to support the output load (audio/visual alarm or secondary pump). The total load determines the appropriate size fuse to use when installing the unit.
2. Disconnect the battery.
3. Select a mounting location for the High Water Sensor. The water sensor, the lower sensor furthest from the wires, should be at the desired high water level to be detected.
4. Always keep the wire connections above the "High Water Line".
5. Connect the wires in the following order following the wiring diagram provided.
6. From the Water Witch High Water Sensor, connect the Tan to the Positive (+) side of the output load (see diagram below), Black to ground or the Negative (-) side of the battery and Red to the Positive (+) side of the battery, through a fuse.
7. Reconnect the battery.
8. To test, put a wet rag across both sensors on the front of the unit.
9. Installation is complete.



23-12
12Vdc systems



23-12B
12Vdc systems
with optional buzzer



23-24
24Vdc systems

Maintenance

The High Water Sensor requires little maintenance other than periodic cleaning of the sensors. Ordinarily this consists of hosing it down with fresh water and wiping it off with a clean rag or towel. Some high foaming detergents or high concentration of fish "slime" can delay or prolong cycle times and require more frequent cleaning of the sensors. Periodically check electrical connections for corrosion.

Note:

If large amounts of rain water can enter the bilge, it may dilute the normal, fresh or salt, water outside our sensitivity window. Corrective action can be to switch pump on manually to remove diluted water or to add minerals such as salt, baking soda, bilge cleaners, etc... NORMAL FRESH WATER HAS AMPLE MINERAL CONTENT FOR PROPER OPERATION.

PURCHASE INFORMATION

Model #	Voltage	Max. Load	Category	Warranty
23-12	12Vdc	10A	high water sensor	7 years
23-12B	12Vdc	10A	high water sensor with buzzer	7 years
23-24	24Vdc	7A	high water sensor	7 years