



MEMBER  
**ABYC**<sup>®</sup>  
*Setting Standards for Safer Boating*



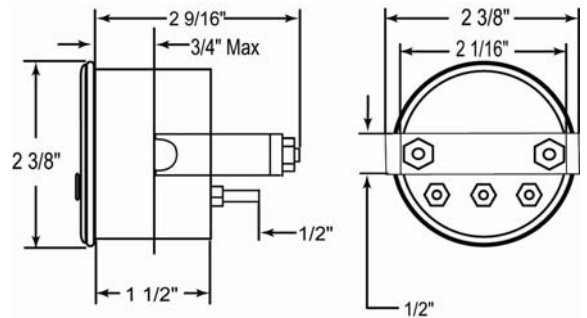
## PT 400 series Programmable Timer



Who has not forgotten to turn off a blower or let a pump run dry? The PT400 series Programmable Timer was uniquely designed to control electrical devices by automatically turning them off. In either 12Vdc or 24Vdc configuration, the PT400 works with any system, controlling any device or combination of devices up to 15 amps. With up to 30 minutes selectable, you can control pumps, blowers and lights. The PT400 acts like an electronic timer, counting down from the selected time to an off state. Once the counter reaches zero, whatever is wired in the circuit to the PT400 is shut down. Use the PT400 to time your deboarding lights, interior lights, pumps or blowers.

### FEATURES & BENEFITS

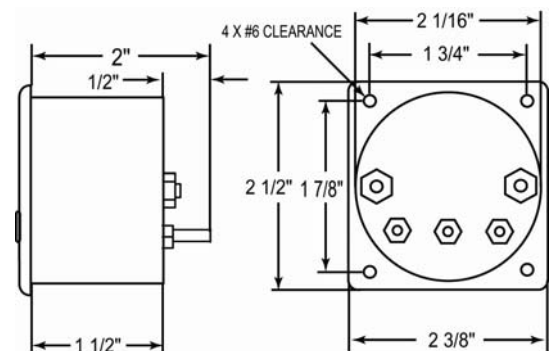
- *Microprocessor controlled*
- *No moving parts –no wear*
- *1-30 minute selectable time range*
- *Works with any 12Vdc or 24Vdc system*
- *Use for lights, pumps, blowers, etc...*
- *Control multiple devices - up to 15 amps at 12Vdc, or up to 8 amps for 24Vdc systems*
- *Exceeds both United States Coast Guard and U.L. Standards*



**Round Bezel**

### SPECIFICATIONS

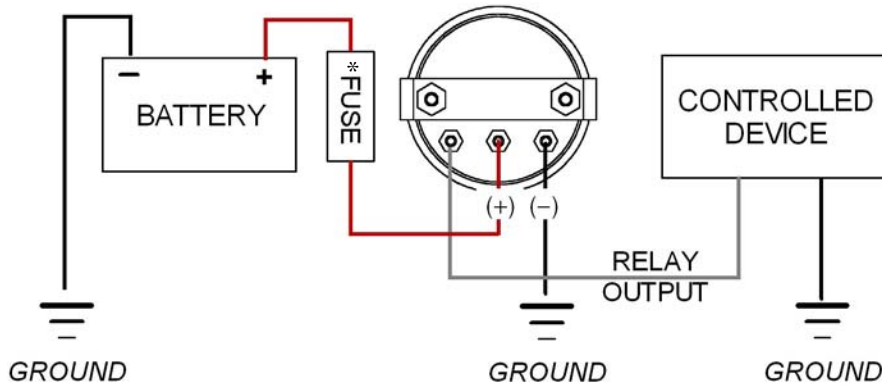
Power Required:	12Vdc (PT400) 24Vdc (PT400-24)
Power used (rest):	.006 amps.
Power used (on):	.250 amps.
Max Load (in-rush):	20 amps.
Load (continuous)	15 amps. (8 amps. for 24Vdc)
Weight:	5.42 ounces
Square:	2.375" W x 2.5" H x 2" D
Round:	2.375" Diameter x 2.56" Deep



**Square Bezel**

## Installation / Wiring Instructions

1. Disconnect the battery.
  2. The PT400 requires a 2 1/16" (53 mm) mounting hole with a maximum dash / bulkhead thickness of .75" (19mm) and a depth of approx 3 inch.
  3. Select a mounting location for the PT400 which is easy to see and clear of obstructions.
  4. Cut the opening, de-burr the hole and check that the PT400 will properly fit. DO NOT FORCE INTO HOLE.
  5. Follow the PT400 wiring schematic as illustrated in the diagram below.
  6. From the center terminal: connect post to the positive side of the battery.
  7. From the relay output terminal: connect post to the positive wire from the controlled device.
  8. From the negative terminal: connect post to ground.
  9. Place PT400 in hole at the desired position and tighten until flush & secure.
  10. Reconnect the battery.
- The installation is complete.



\*Size to match Mfr. Recommendations.

## Operating Instructions

- When power is applied correctly, the right digit has a scrolling segment rotating counter clockwise indicating the timer is ready for operation.
- Momentarily press the SET TIME button to display the minute setting and increase it by one minute.
- The output relay will turn on and start counting down from the remaining minutes.
- The ON/OFF button will stop the timer if desired.
- Holding the SET TIME button down automatically increments the minute setting up to 30 minutes maximum. At 30 minutes, the PT400 automatically rolls over to 1 minute.
- Pressing the ON/OFF button will immediately start a new timing cycle at the last time setting in memory. The length of the cycle and time remaining will be shown in the display.
- At any time during a timing cycle, the ON/OFF button can be pressed to shutdown the cycle.



**PT400 SQ - Square  
Black**



**PT400 RD - Round  
White**

## PURCHASE INFORMATION

Model #	Size	Color	Bezel	Voltage	Warranty
PT400RD	2 3/8" Diameter x 2 5/8" Deep	Black or White	Black or White Plastic	12Vdc	2 years
PT400SQ	2 3/8" W x 2.5" H x 2" D	_____	_____	12Vdc	_____
PT400-24RD	2 3/8" Diameter x 2 5/8" Deep	_____	_____	24Vdc	_____
PT400-24SQ	2 3/8" W x 2.5" H x 2" D	_____	_____	24Vdc	_____